

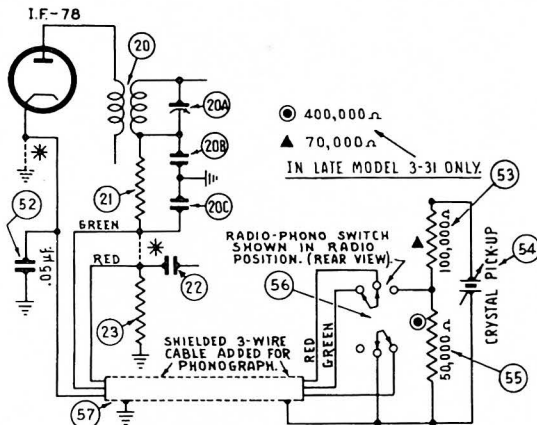
PHILCO Model 39-3-31 PA

Model 3-31 PA is a combination automatic record changer, phonograph and electric push-button tuning superheterodyne radio. This model is identical to the Model 39-31 Code 121 with the exception of the automatic record changer.

The automatic record changer plays seven 12" or eight 10" records automatically. The last record remains on the turntable and repeats as long as the record changer is in operation. The electric pick-up is a crystal type.

The specifications for the radio receiver, alignment of compensators and adjustments of push-buttons for reception of stations is covered under the Model 39-31 Code 121. Connections for the phonograph pick-up as connected to the Model 39-31 Code 121 receiver are shown below. The circle numbers of this diagram correspond to the circle numbers of the Model 39-31 Schematic.

Service information for the automatic record changer mechanism will be found on page 91.



* DOTTED LINES INDICATE CONNECTIONS BEFORE ADDITION OF PHONOGRAPH. (REFER TO MODEL 39-35)
PHONOGRAPH CONNECTIONS FOR MODEL 3-31.

Replacement Parts — Model 39-3-31 PA

SCH. No.	DESCRIPTION	PART No.
52	Condenser (.05 mfd., 200 V.)	30-4519
53	Resistor (100,000 ohms)	33-410339
54	Crystal Cartridge	35-2030
55	Resistor (50,000 ohms)	33-350339
56	Switch (Radio-Phono)	42-1053
57	Cable	

MISCELLANEOUS PARTS

Motor (115 V., 60 cycle A. C.)	
Motor Switch	
Tone Arm Complete	35-2055
Turntable	35-3041

PHILCO Models 39-40 PCX and 2-40 PC

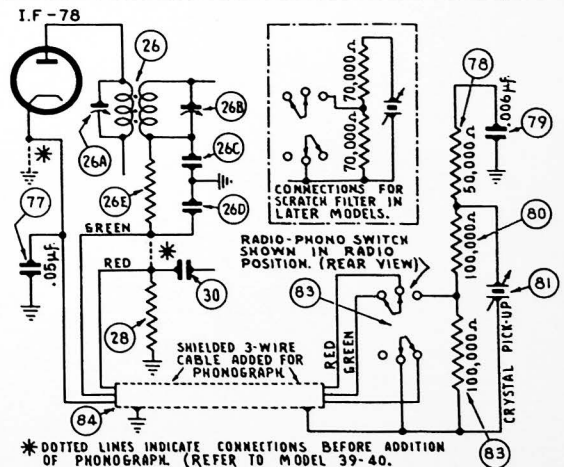
Models 39-40 PCX and 2-40 PC are combination automatic record changer phonograph and electric push-button tuning superheterodyne radio receivers. These models are identical to the Model 39-40 Code 121 with the exception of the phonograph mechanism. The phonograph contains an automatic record changer which plays ten records either 10 or 12 inches repeating the last selection until the records are re-stacked or the set is turned off. Service instructions for the automatic mechanism will be supplied upon request.

The radio receiver specifications, aligning instructions and adjustments for electric push-button tuning are covered under Model 39-40 Code 121. The cabinet size and power consumption, however, differ on the Models 39-40 PCX and 2-40 PC and are listed below.

The phonograph connections diagram shown below indicates the connections to the radio receiver of the Model 39-40 Code 121. The circle numbers of the diagram correspond to the circle numbers of the Model 39-40 Code 121 diagram.

CABINET DIMENSIONS:

Height, 37 1/8". Width, 39 1/16". Depth, 17 1/8".



* DOTTED LINES INDICATE CONNECTIONS BEFORE ADDITION OF PHONOGRAPH. (REFER TO MODEL 39-40)
PHONOGRAPH CONNECTIONS FOR MODELS 39-40PCX, 2-40PC

Replacement Parts — Models 39-40 PCX and 2-40 PC

SCH. No.	DESCRIPTION	PART No.	SCH. No.	DESCRIPTION	PART No.	SCH. No.	DESCRIPTION	PART No.
77	Condenser (.05 mfd., 200 V.)	30-4519	81	Crystal Cartridge	35-2030	MISCELLANEOUS PARTS		
78	Resistor (50,000 ohms)	33-350339	82	Resistor (100,000 ohms)	33-410339	Motor 110 volt, 60 cycle	35-1187	
79	Condenser (.006 mfd., 200 V.)	30-4583	83	Switch (Radio-Phono)	42-1053	Motor 110 volt, 50 cycle	35-1186	
80	Resistor (100,000 ohms)	33-410339	84	Cable		Automatic Record Chgr. (Com.)	35-1178	
						Governor (motor)	35-1168	